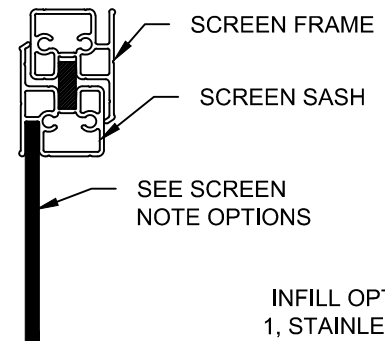
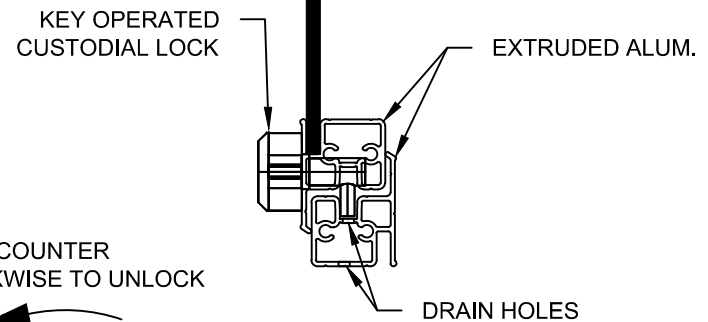


1  
D2 ELEVATION  
SCALE: 1"=0'-8"

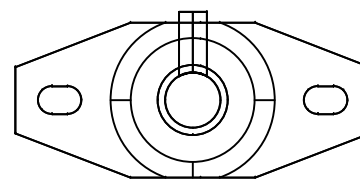


INFILL OPTIONS:  
 1, STAINLESS STEEL MESH;  
 2, EXPANDED STEEL;  
 3, LEXAN.



1  
D2 HEADER AND SILL SECTION  
SCALE: 1"=0'-2"

TURN COUNTER  
CLOCKWISE TO UNLOCK



1  
D2 KEY OPERATED CUSTODIAL LOCK DETAIL  
SCALE: 1"=0'-1"

0	ISSUED FOR REVIEW	
REV.	DESCRIPTION	DATE: (20-01-28)



**SILEX FIBERGLASS**

1266 BORDER ST.  
 WINNIPEG, MB R3H 0M6  
 TEL: 204-788-0648  
 FAX: 204-788-0649

SHEET TITLE:

SCALE:

DRAWN BY: ZH  
 D2